

## CLR & FBR SERIES

### HIGH FREQUENCY ROLLER VIBRATORS

### High Frequency Pneumatic Concrete Form Vibrators

The CLR & FBR Series High Frequency Pneumatic Roller Vibrators from Houston Vibrator are ideal for vibrating concrete forms, refractory molds, and more—for better surface finishes – FASTER! Whether you need a portable vibrator or permanently installed vibrators, there is a model to suit any application.



**CLR-6500**



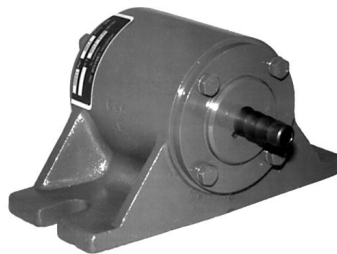
**CLR-2700**

**CLR SERIES** High Frequency Roller Vibrators are designed for portability. The model CLR-6500 is shown at left, with the QR-4 Cradle-Lug Bracket, sold separately. The CLR-2700 is shown without the bracket.

There are single and dual roller types in the CLR Series to suit a variety of applications.



**FBR-6500**



**FBR-2700**

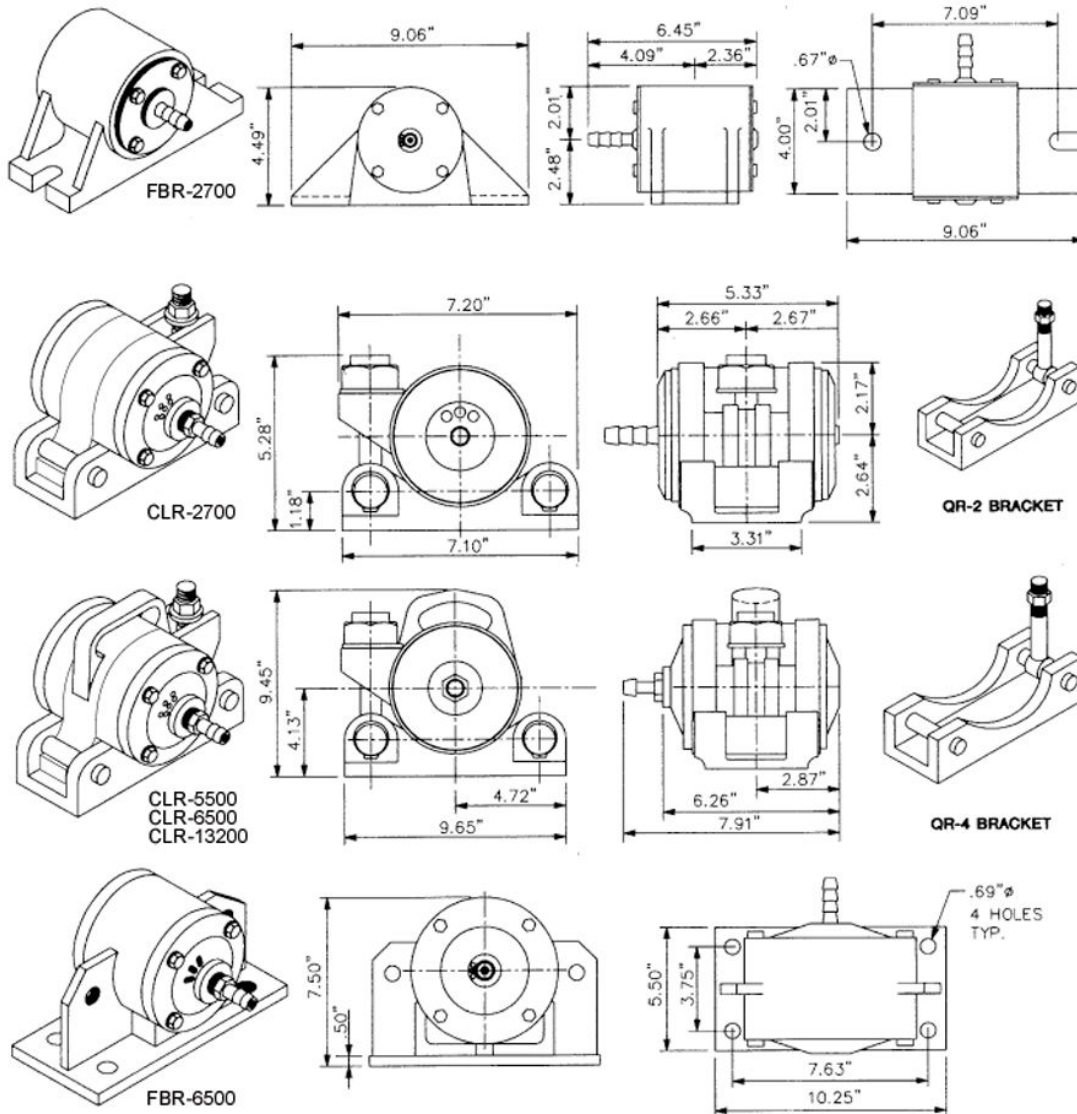
**FBR SERIES** High Frequency Roller Vibrators are designed for permanent installations. Models FBR-6500 and FBR-2700 are shown at left. These models are bolted directly to the form or mold.

There are single and dual roller types in the FBR Series to suit a variety of applications.

All models in the CLR and FBR Series feature a simple design and rugged construction to reduce the need for regular maintenance. There are only two moving parts – no bearings. Operation is simple too. Just supply clean, lubricated air by connecting your air hose to the male hose barb.

Call Houston us today for product selection and sizing assistance. We have everything you need to get your CLR or FBR Series Vibrators installed and running. Mounting Brackets and Hose Control Assemblies with in-line lubricator and on/off control valve are available from Houston Vibrator.

## DIMENSIONAL DATA



## TECHNICAL DATA

MODEL	FBR-2700	CLR-2700	QR-2 BKT
FREQUENCY	16000 VPM	16000 VPM	-
CENT. FORCE	3086 LBS	3086 LBS	-
AIR CONSUMPTION	42 CFM	42 CFM	-
WEIGHT	20 LBS	20 LBS	9 LBS

MODEL	CLR-5500	FBR-6500	CLR-6500	CLR-13200	QR-4 BKT
FREQUENCY	4100 VPM	9000 VPM	9000 VPM	14500 VPM	-
CENT. FORCE	5600 LBS	10400 LBS	10400 LBS	13200 LBS	-
AIR CONSUMPTION	57 CFM	51 CFM	51 CFM	64 CFM	
WEIGHT	44 LBS	35 LBS	35 LBS	39 LBS	12 LBS

ALL PERFORMANCE DATA OBTAINED AT 85 PSI